



# Gateway Mounting Guide

**RAK Gateway Series**

Edge Lite 2 · Soho Lite · BACnet Gateway

April 2026

# Before you begin

This guide covers the physical mounting of all three RAK gateway models used with the Kaiterra Sensedge Go. Find your model below and navigate to the relevant section for step-by-step instructions.



**RAK7268V2 / CV2**  
WisGate Edge Lite 2

**See page 4**



**RAK7266**  
WisGate Soho Lite

**See page 6**



**RAK7437 / C**  
BACnet Gateway

**See page 8**

# Determining location

The following placement guidance applies to all three gateway models.

- Place the gateway higher than the Sensedge Go devices for optimal performance.
- Select a location central to all devices connecting to this gateway.
- Avoid obstructions, thick walls, and metal or reflective surfaces where possible.

## Antenna orientation

Angle the antenna so it is not parallel to the mounting surface. It should not lie flat.



**Note:** We recommend conducting a site survey to test signal strength at your intended location before permanently mounting the gateway.

# RAK7268V2 / RAK7268CV2: WisGate Edge Lite 2

## What's in the box

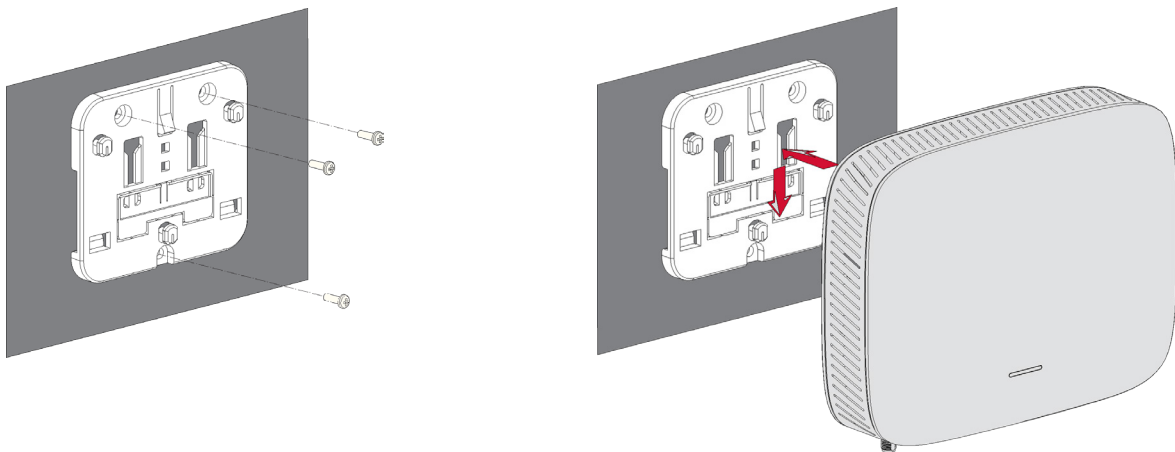
- 1 x Gateway
- 1 x LoRa antenna
- 1 x Power supply adapter
- 1 x Mounting bracket with accessories
- 2 x LTE antennas (external LTE antenna models only)



## Mounting methods

### Option A: Wall mounting

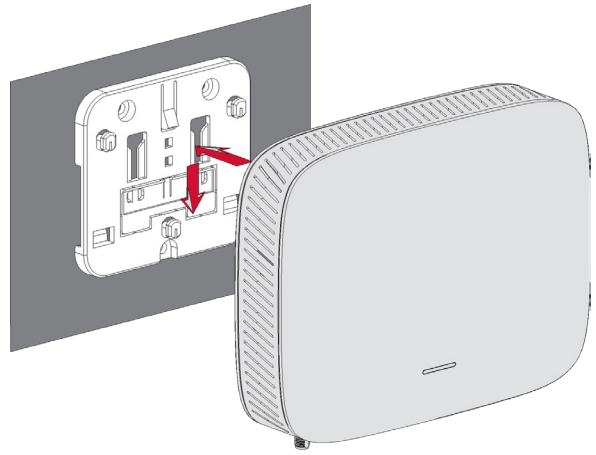
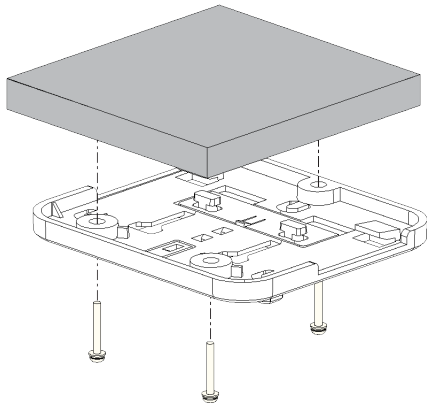
1. Mark three hole positions on the wall using the bracket as a template.
2. Drill three holes using a 5 mm drill bit and insert the expansion plugs.
3. Secure the mounting bracket to the wall with screws.
4. Align the gateway's hanging hole with the bracket's locking plate, slide on, and pull firmly to confirm it is secured.



### Option B: Ceiling mounting

**Note:** Confirm the ceiling material is strong enough to support the gateway before drilling.

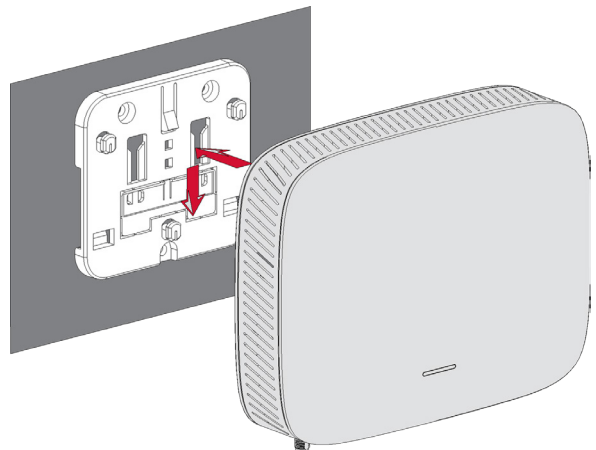
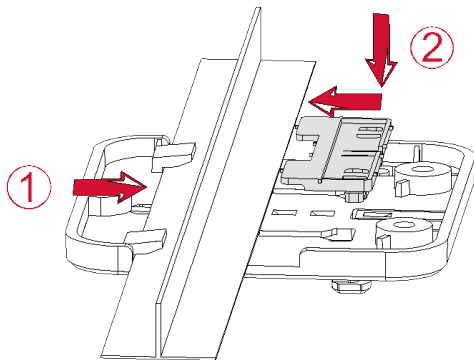
1. Mark three hole positions on the ceiling using the bracket as a template.
2. Drill three holes with a 5 mm bit and insert expansion tubes if required for the ceiling material.
3. Secure the bracket to the ceiling with self-tapping screws.
4. Attach the gateway to the bracket using the same method as wall mounting (step 4 above).



### Option C: T-shaped keel / rail mounting

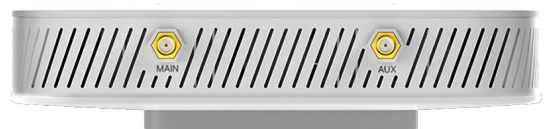
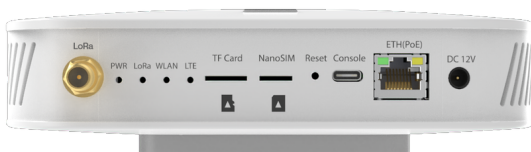
**Note:** Compatible rail widths: 14 mm, 16 mm, and 24 mm.

1. Remove the mounting clip from the bracket.
2. Insert one side of the T-shaped keel into the two clips on the bracket.
3. Hook the mounting clip into the T-shaped rails of the bracket and slide to the other side until locked.
4. Attach the gateway to the bracket using the same method as wall mounting (step 4 above).



### Attach the antenna

- LoRa antenna: Screw onto the connector labeled 'LoRa'.
- LTE antennas (RAK7268CV2 with external antennas only): Screw onto connectors labeled 'MAIN' and 'AUX'.



**Warning:** Do not power on the gateway with any antenna port left open.

# RAK7266: WisGate Soho Lite

## What's in the box

- 1 x Gateway
- 1 x LoRa antenna
- 1 x LTE antenna (external LTE antenna models only)
- 1 x Power supply adapter
- 1 x Mounting bracket



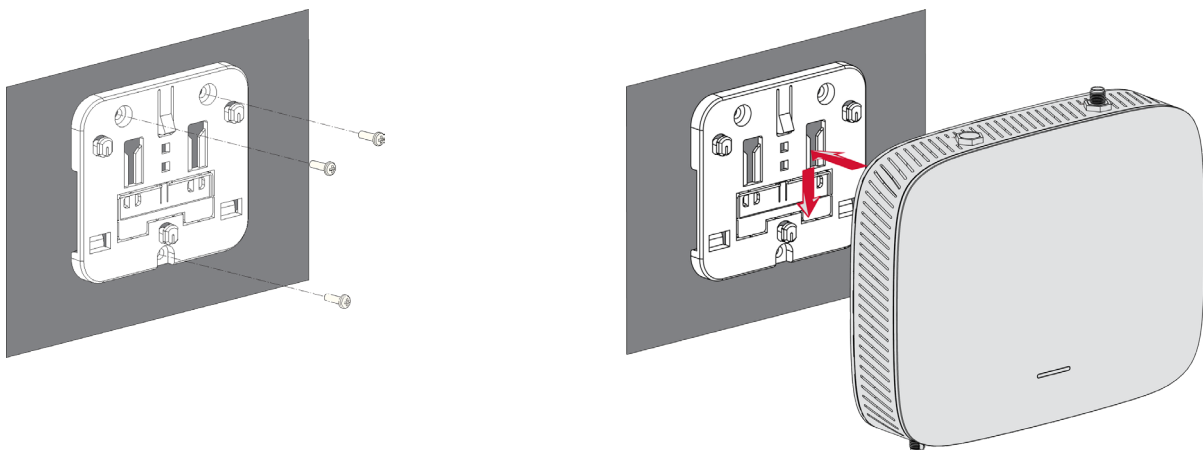
**Note:** The RAK7266 does not support PoE. A power outlet must be available at or near the mounting location.

## Mounting methods

The RAK7266 uses the same bracket system and mounting steps as the RAK7268V2.

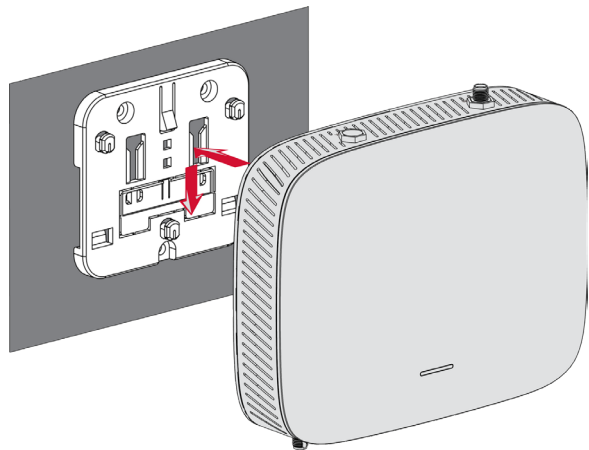
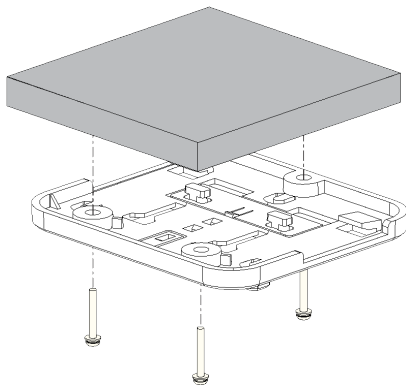
### Option A: Wall mounting

Follow the wall mounting steps from the RAK7268V2 section (page 4).



## Option B: Ceiling mounting

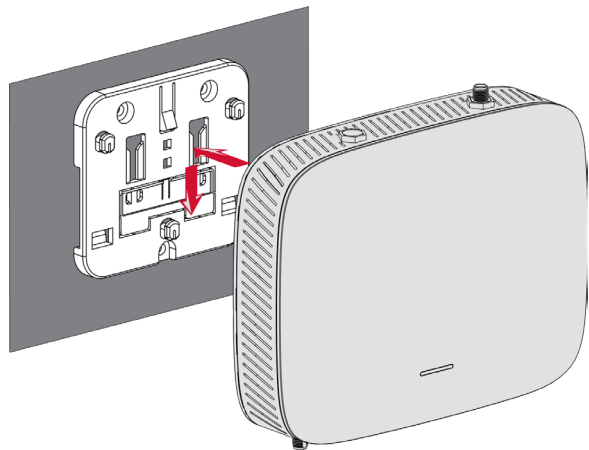
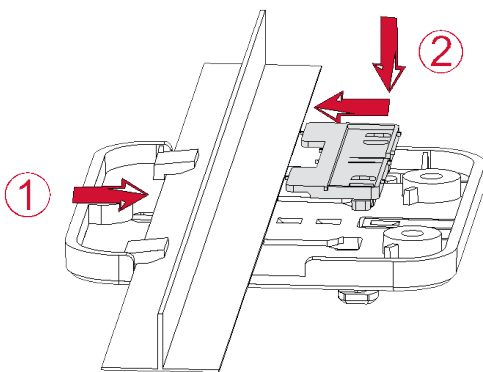
Follow the ceiling mounting steps from the RAK7268V2 section (page 5).



## Option C: T-shaped keel / rail mounting

**Note:** Compatible rail widths: 14 mm, 16 mm, and 24 mm.

Follow the T-keel mounting steps from the RAK7268V2 section (page 5).



## Attach the antenna

- LoRa antenna: Screw onto the connector labeled 'LoRa'.
- LTE antenna (external models only): Screw onto the connector labeled 'MAIN'.



**Warning:** Do not power on the gateway with any antenna port left open.

# RAK7437 / RAK7437C: BACnet Gateway for LoRaWAN

## What's in the box

Package contents vary by bundle.  
Generally includes:

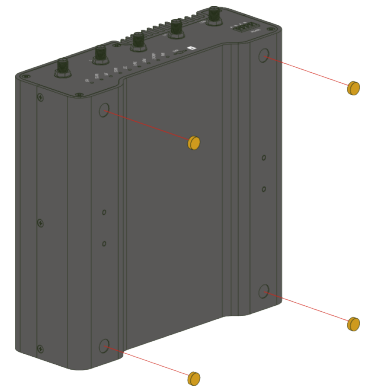
- 1 x Gateway (aluminum industrial enclosure)
- 1 x LoRa antenna
- 2 x Wi-Fi antennas
- 2 x LTE antennas (RAK7437C only)
- Power accessories (varies by bundle)



## Mounting methods

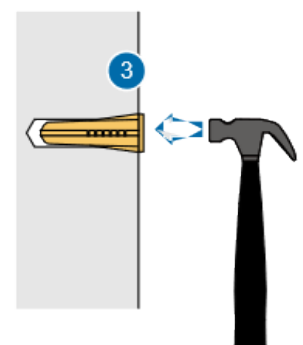
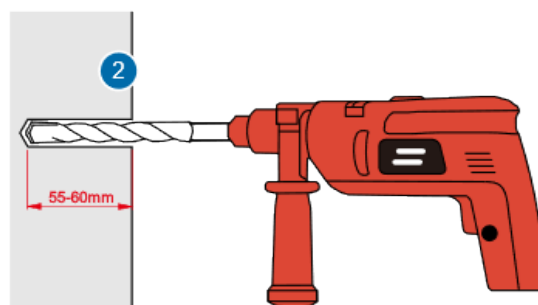
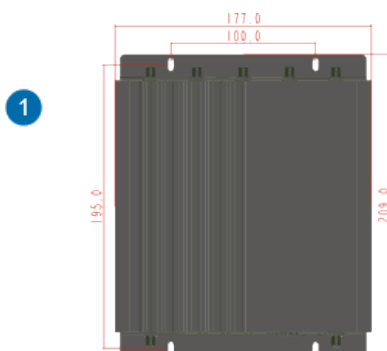
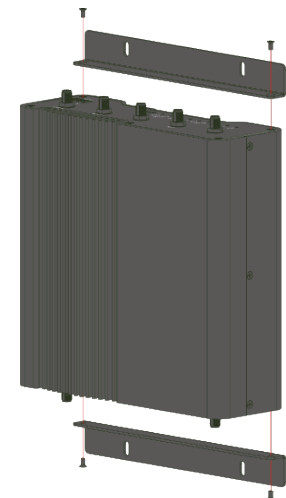
### Option A: Desktop placement

1. Attach the four rubber feet to the grooves on the back of the device.
2. Place the device on a flat, stable surface with adequate clearance for ventilation and cables.



### Option B: Wall mounting

1. Unscrew the four screws on the device enclosure and use them to attach the mounting angle brackets to the device.
2. Mark four hole positions on the wall using the bracket angles as a template.
3. Drill four holes with a 5 mm bit and insert screw anchors.



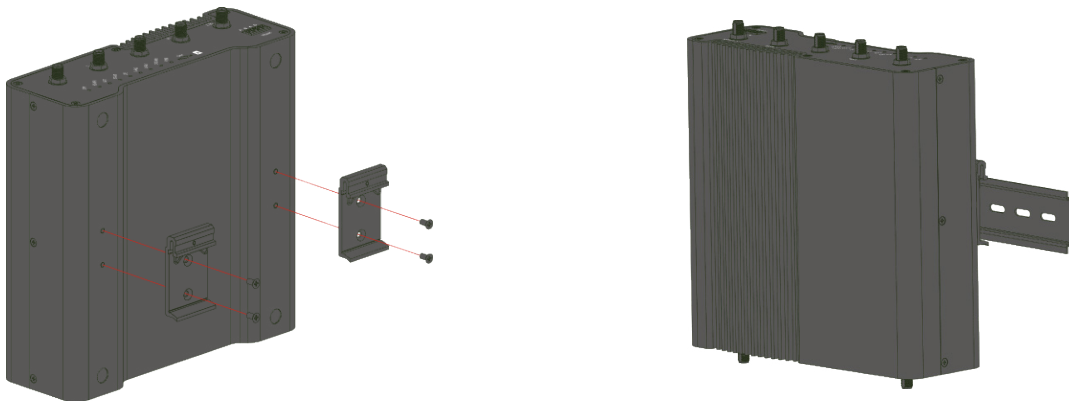
- Secure the device to the wall using four tapping screws through the bracket angles.



### Option C: DIN rail mounting

**Note:** DIN rail is the most common mounting method for this model in comms rooms and utility cabinets.

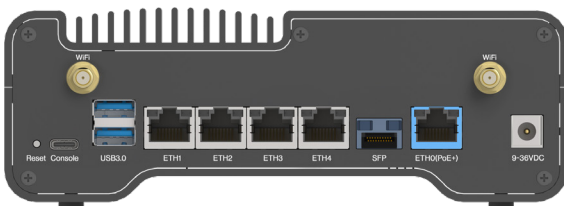
- Attach the DIN rail mounting clips to the back of the device using four M3x6 countersunk screws.
- Clip the device onto the DIN rail.



### Attach the antenna

All antenna connectors are labeled on the enclosure. Match each antenna to its labeled port:

- LoRa antenna: Connect to the port labeled 'LoRa'.
- Wi-Fi antennas (x2): Connect to the ports labeled 'Wi-Fi'.
- LTE antennas (x2, RAK7437C only): Connect to ports labeled 'LTE-MAIN' and 'LTE-DIV'.



**Warning:** Do not power on the gateway with any antenna port left open.



For network configuration and setup, refer to the [Kaiterra Sensedge Go Configuration Guide](#).